

DR SIGN REDO

0. BLOCK DIAGRAM

BLOCK_DIAGRAM



File: BLOCK_DIAGRAM.kicad_sch

1. POWER

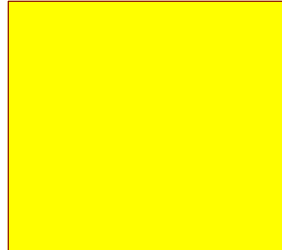
POWER



File: POWER.kicad_sch

2. ATMEGA32U4-AU

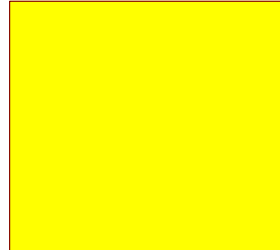
ATmega32U4-A



File: ATmega32U4-A.kicad_sch

3. RGB_LEDS

RGB_LEDS



File: RGB_LEDS.kicad_sch

MOUNTING HOLES

- H0 MountingHole
- H1 MountingHole
- H2 MountingHole
- H3 MountingHole

DRAWN BY
DESIGNED BY
RELECTRONICS

Sheet: /
File: DR_SIGN_REDO.kicad_sch

Title: DR SIGN REDO

Size: A4 Date: 2023-12-28

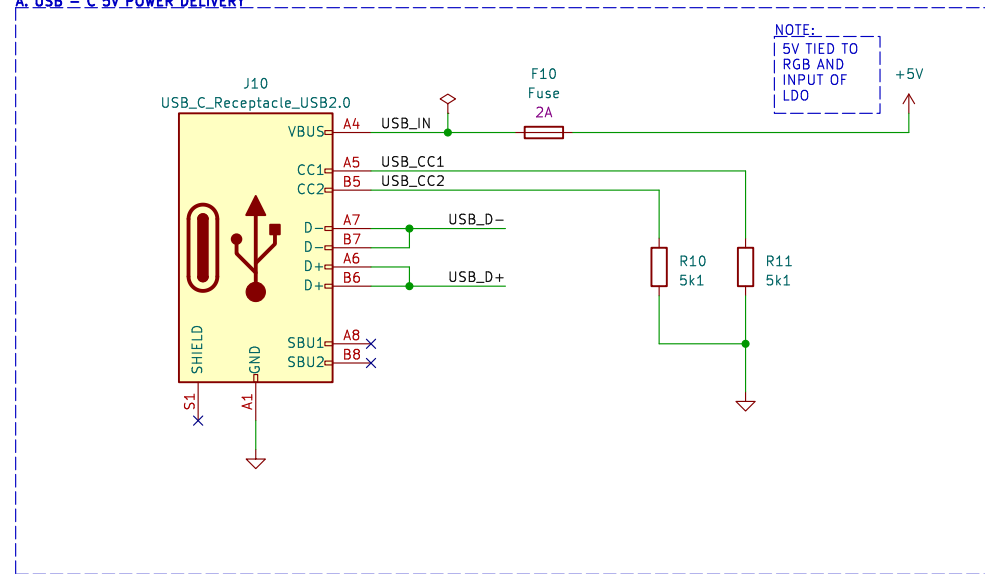
KiCad E.D.A. kicad (7.0.0)

Rev: 0.0

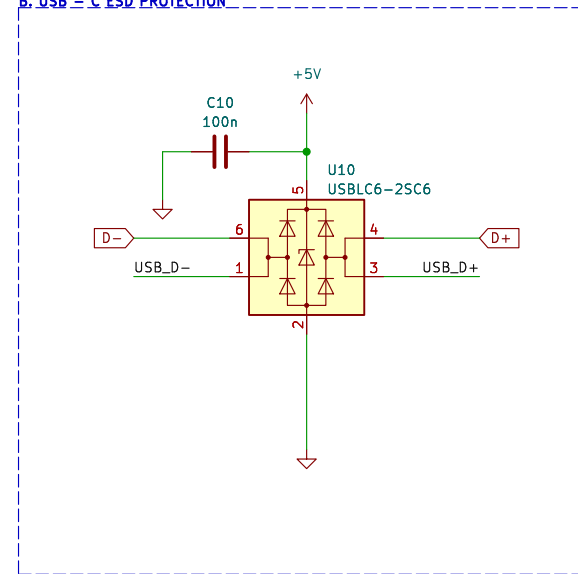
Id: 1/5

1. POWER

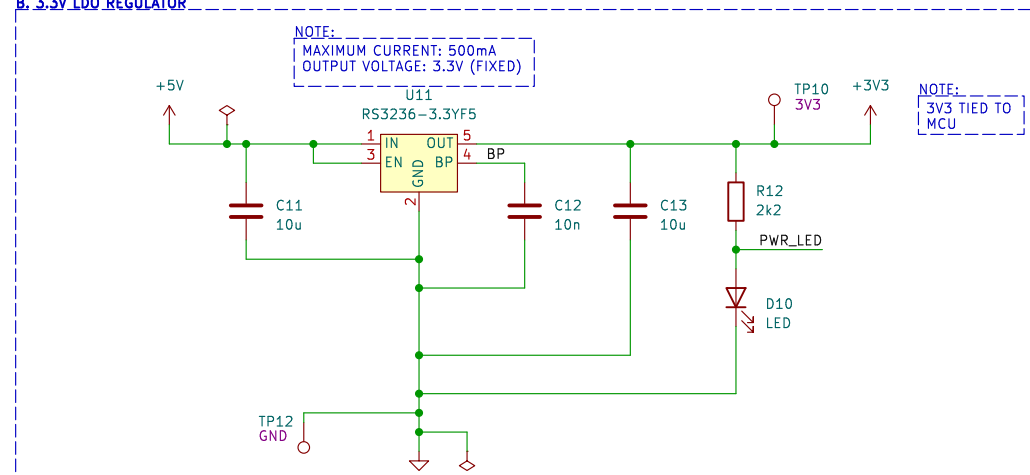
A. USB - C 5V POWER DELIVERY



B. USB - C ESD PROTECTION



B. 3.3V LDO REGULATOR



DRAWN BY [REDACTED]
DESIGNED BY [REDACTED]
RELECTRONICS

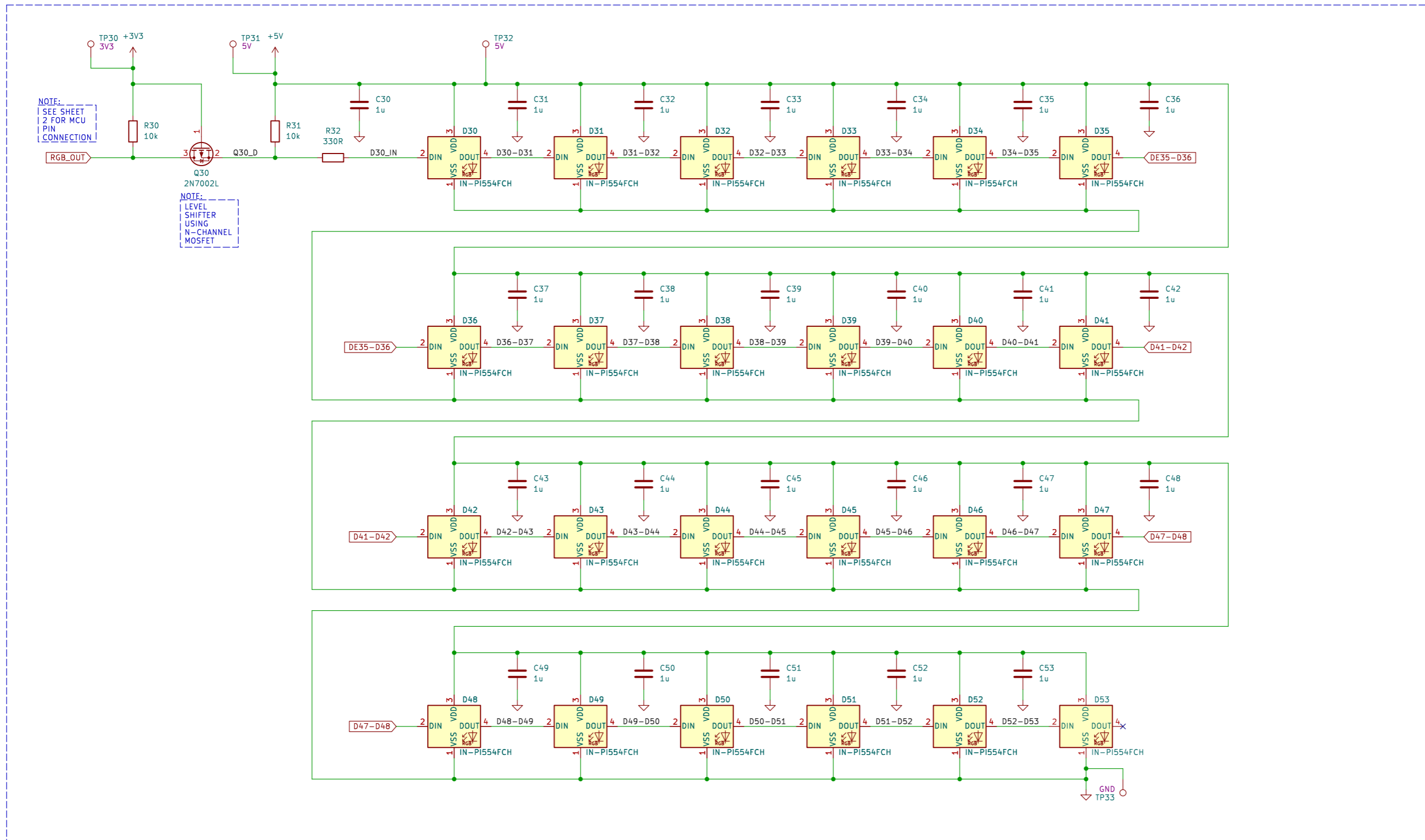
Sheet: /POWER/
File: POWER.kicad_sch

Title: DR SIGN REDO

Size: A4 Date:
KiCad E.D.A. kicad (7.0.0)

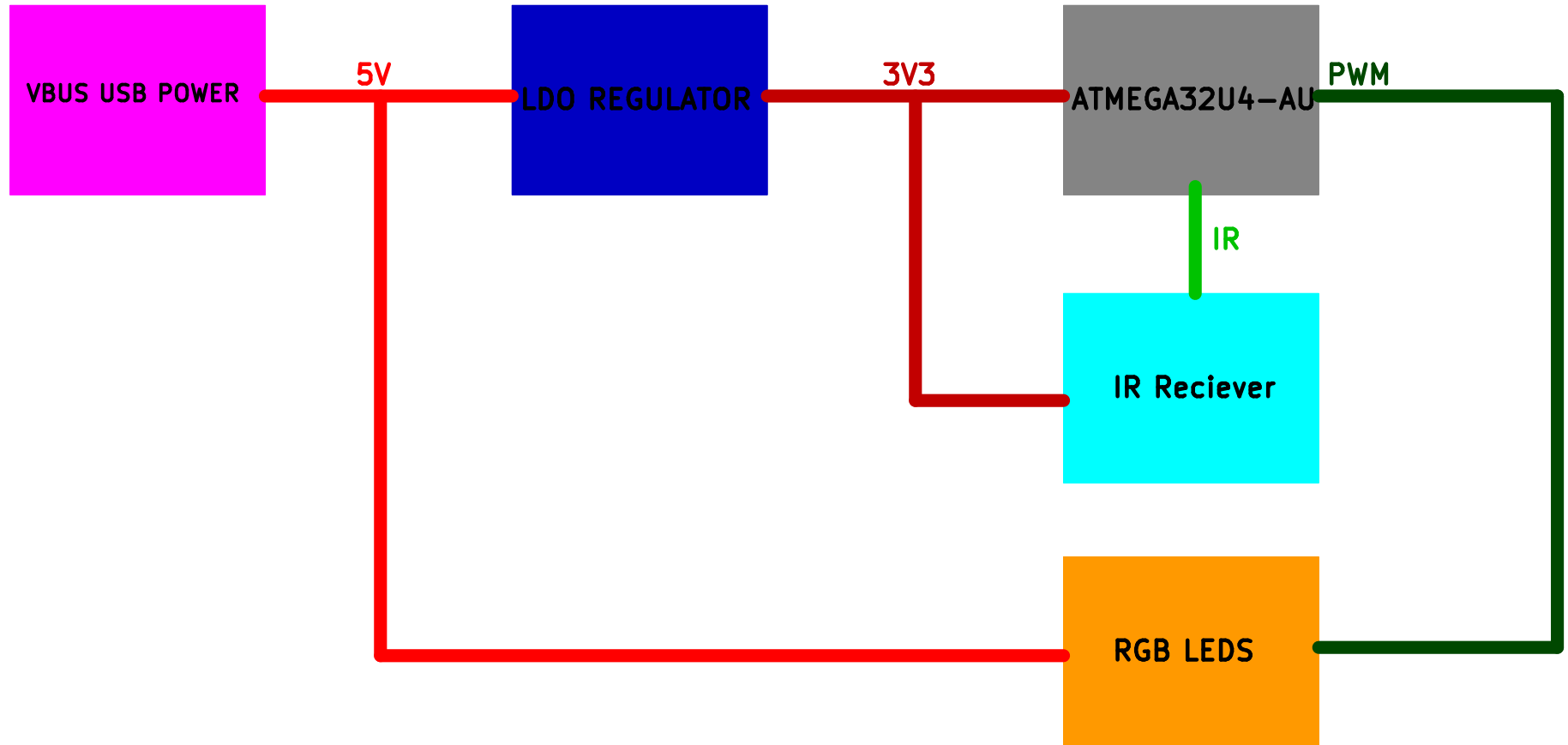
Rev: 0.0
Id: 2/5

3. IN-PI554FCH RGB LEDS



DRAWN BY: [REDACTED]
 DESIGNED BY: [REDACTED]
RELECTRONICS
 Sheet: /RGB_LEDS/
 File: RGB_LEDS.kicad_sch
Title: DR SIGN REDO
 Size: A3 Date:
 KiCad E.D.A. kicad (7.0.0) **Rev: 0.0**
 Id: 4/5

0. BLOCK DIAGRAM



DRAWN BY: [REDACTED]
DESIGNED BY: [REDACTED]
RELECTRONICS
Sheet: /BLOCK_DIAGRAM/
File: BLOCK_DIAGRAM.kicad_sch

Title: DR SIGN REDO

Size: USLetter | Date: 2023-12-28
KiCad E.D.A. kicad (7.0.0)

Rev: 0.0
Id: 5/5

2. ATmega32U4-A

