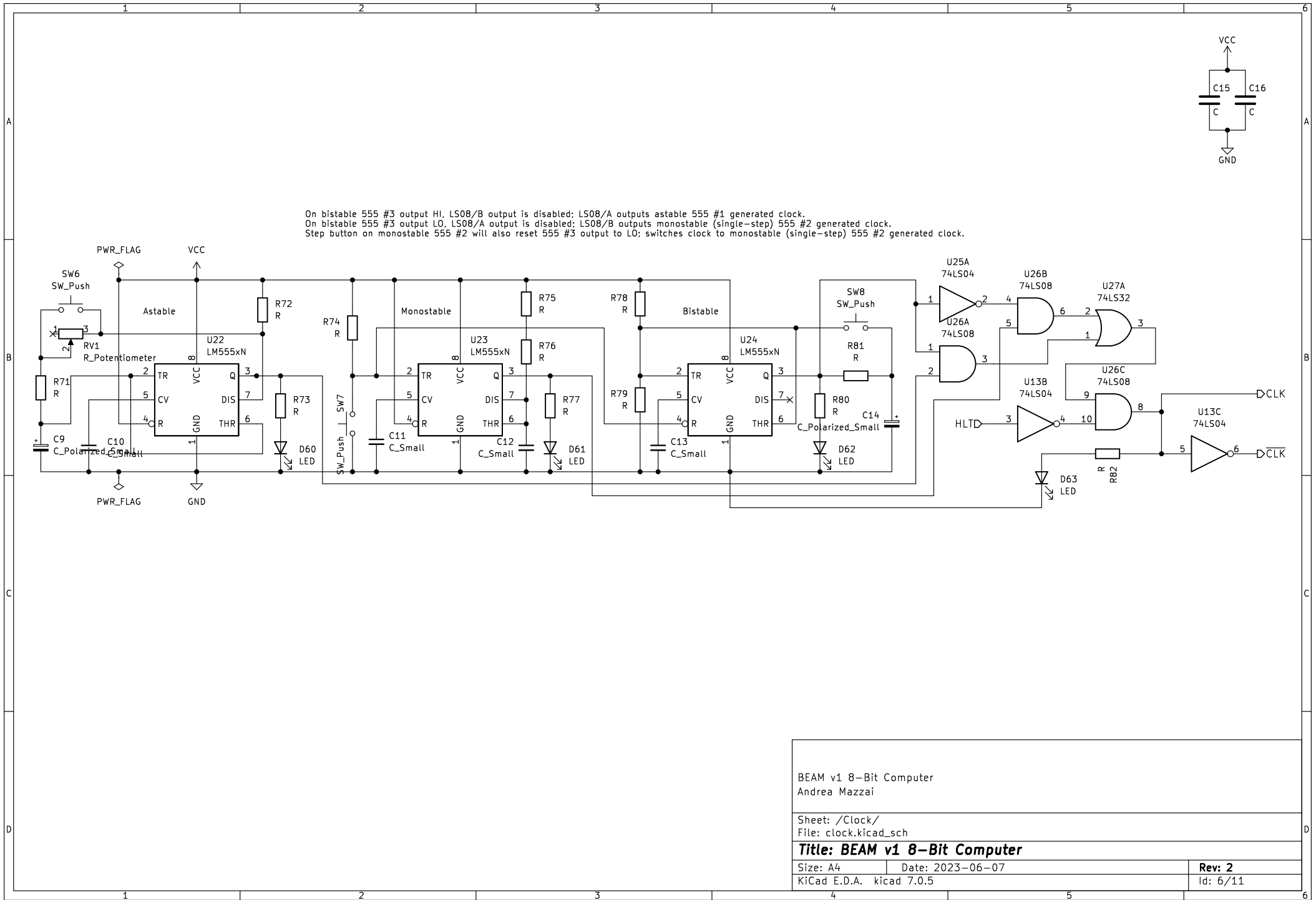


On bistable 555 #3 output HI, LS08/B output is disabled; LS08/A outputs astable 555 #1 generated clock.
 On bistable 555 #3 output LO, LS08/A output is disabled; LS08/B outputs monostable (single-step) 555 #2 generated clock.
 Step button on monostable 555 #2 will also reset 555 #3 output to LO; switches clock to monostable (single-step) 555 #2 generated clock.



BEAM v1 8-bit Computer
 Andrea Mazzai

Sheet: /Clock/
 File: clock.kicad_sch

Title: BEAM v1 8-bit Computer

Size: A4	Date: 2023-06-07	Rev: 2
KiCad E.D.A. kicad 7.0.5		Id: 6/11