

(C) Anders Bøcher 2011
 License: Creative Commons CC BY-SA

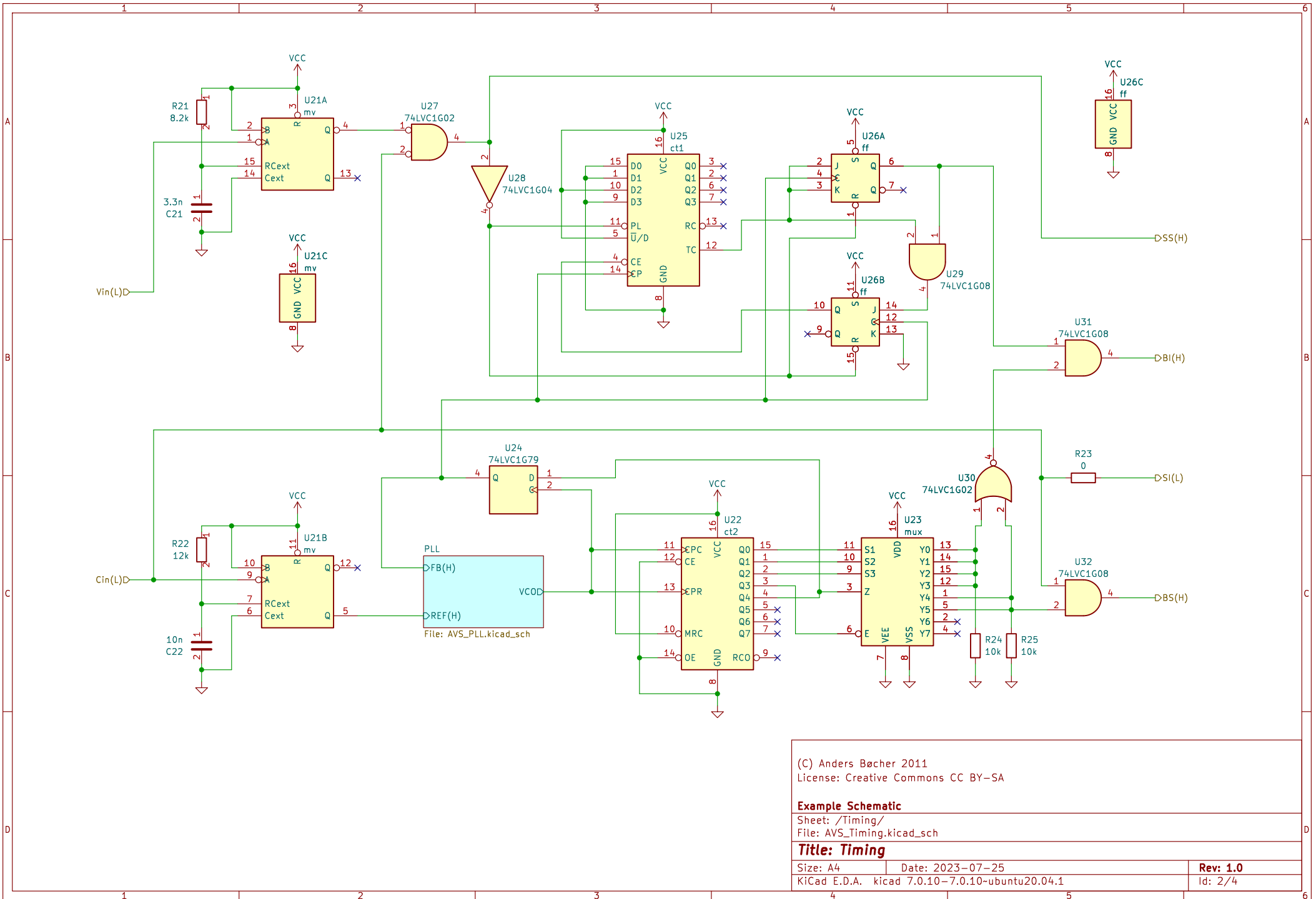
Example Schematic

Sheet: /
 File: AVS.kicad_sch

Title: Analog Main

Size: A4 Date: 2023-07-25
 KiCad E.D.A. kicad 7.0.10-7.0.10-ubuntu20.04.1

Rev: 1.0
 Id: 1/4



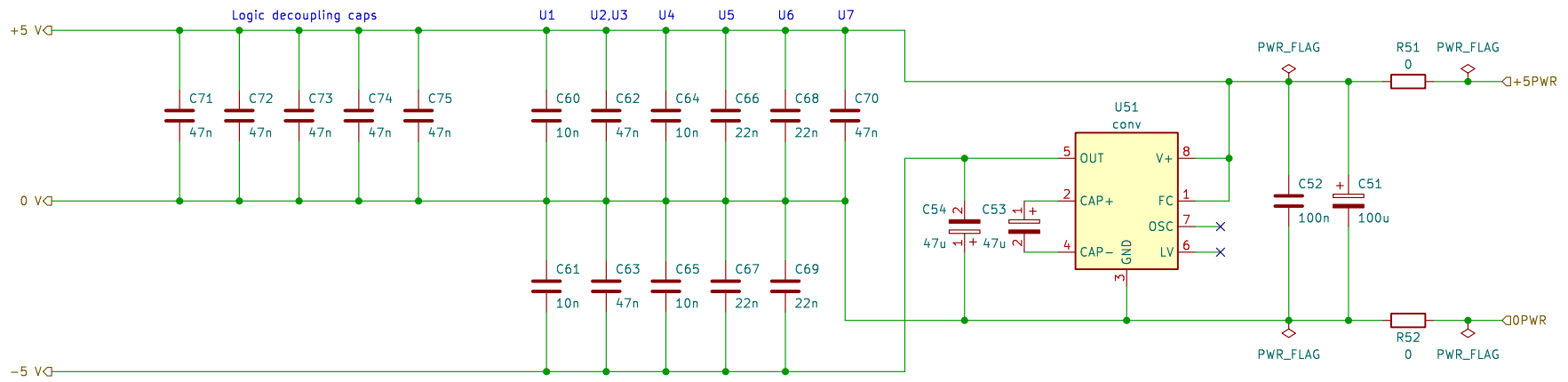
(C) Anders Bøcher 2011
 License: Creative Commons CC BY-SA

Example Schematic
 Sheet: /Timing/
 File: AVS_Timing.kicad_sch

Title: Timing

Size: A4	Date: 2023-07-25
KiCad E.D.A. kicad 7.0.10-7.0.10-ubuntu20.04.1	

Rev: 1.0
 Id: 2/4



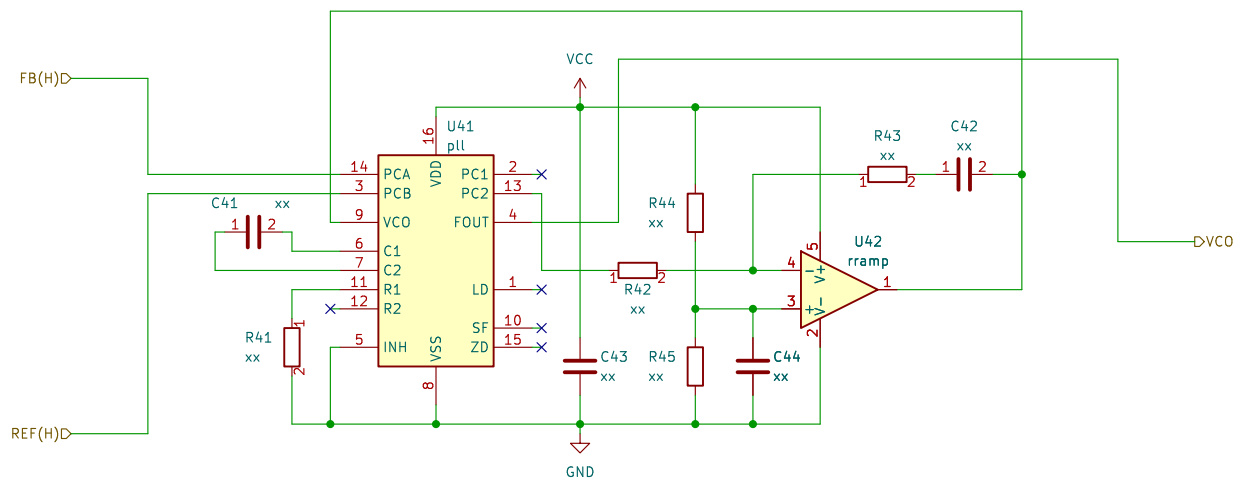
(C) Anders Bøcher 2011
 License: Creative Commons CC BY-SA

Example Schematic

Sheet: /Power/
 File: AVS_Power.kicad_sch

Title: Power

Size: A4	Date: 2023-07-25	Rev: 1.0
KiCad E.D.A. kicad 7.0.10-7.0.10-ubuntu20.04.1		Id: 3/4



(C) Anders Bøcher 2011
 License: Creative Commons CC BY-SA

Example Schematic

Sheet: /Timing/PLL/
 File: AVS_PLL.kicad_sch

Title: PLL, Filter, VCO

Size: A4 Date: 2023-07-25
 KiCad E.D.A. kicad 7.0.10-7.0.10-ubuntu20.04.1

Rev: 1.0
 Id: 4/4