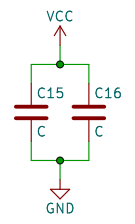
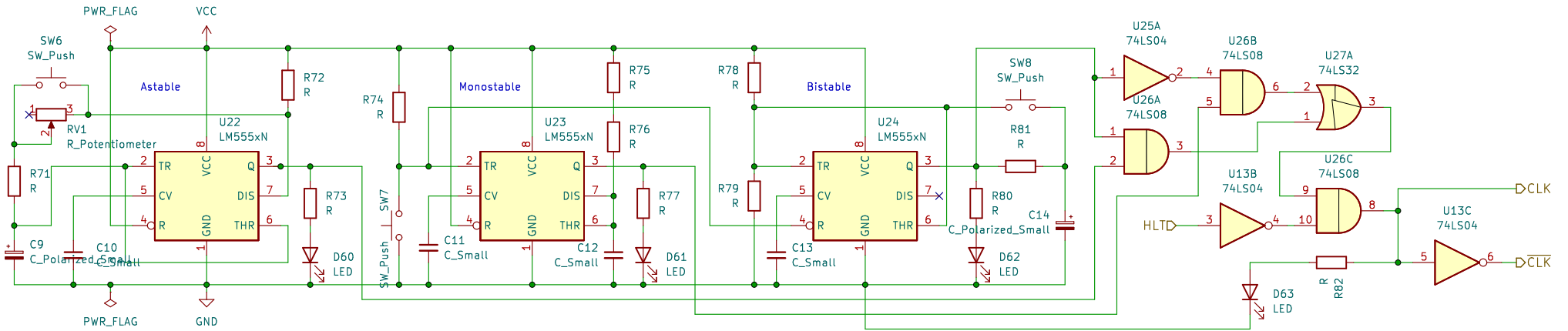


On bistable 555 #3 output HI, LS08/B output is disabled; LS08/A outputs astable 555 #1 generated clock.  
 On bistable 555 #3 output LO, LS08/A output is disabled; LS08/B outputs monostable (single-step) 555 #2 generated clock.  
 Step button on monostable 555 #2 will also reset 555 #3 output to LO; switches clock to monostable (single-step) 555 #2 generated clock.



BEAM v1 8-bit Computer  
 Andrea Mazzai

Sheet: /Clock/  
 File: clock.kicad\_sch

**Title: BEAM v1 8-bit Computer**

Size: A4 Date: 2023-06-07

KiCad E.D.A. kicad 7.0.5

**Rev: 2**

Id: 6/11